

Čapkova 22
678 01 Blansko
tel.: +420 516 416942, 419995
fax: +420 516 416963

Programmable two wire transmitter for temperature head



- PP200 is mounted in a connection head DIN dimension "B"
- Easy programming range AX-USB adapter / AY-USB / PK-USB without power supply
- Converter without galvanic isolation, converts temperature from RTD
RTD thermometer on the output signal of 4-20 mA
- The transmitter can be programmed for the types of sensors: Pt100, Pt1000, Ni 100, Ni 1000, KTY81 (-55 .. 110 ° C)

Technical data

- Input: Pt100, 1000 by IEC 751(-55...+645°C); Ni 100, Ni1000 (-40...+180°C); KTY81...
- Adjustable measuring range: arbitrary, min. span 10°C
- Errors: setting error < 0,15°C
- temperature drift < 0,05°C/10°C
- linearity error < 0,05% from the set range (min: 0,1°C for 15 bit. and 0,16°C for 14 bit. resolution)
- influence of supply voltage < 0,005%/V of span (max. 0,2°C)
- lead resistance effect No effect for 3 wire to 20 ohm lead
- Arbitrary input/output: 14 or 15bit/12bit - programmable
- Input Connections: 3 or 2 wire - programmable
- Max. line resistance: < 20 Ω /1 wire
- Current limit: sensor short: < 3,2mA, sensor break: >22,7mA
- Sensor current: <0,6mA (mean value)
- Damping: 0 .. 30 s (programmable) company settings 0,3s
- Sampling period: 202 - 810 ms (see Table 1)
- Operating temperature range: -25...+ 80°C
- Supply voltage: 8... 28V DC the output signal 4-20mA
- Output: 4-20mA linear with temperature
- Protection - type / terminals: IP68 / IP10
- Accessories: AX-USB or AY-USB or PK-USB + software free

Table 1

sampling period

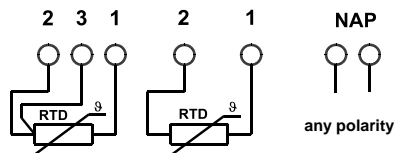
	2wire	3wire
14ti bit. Input	202 ms	412 ms
15ti bit. Input	404 ms	810 ms

Type test:

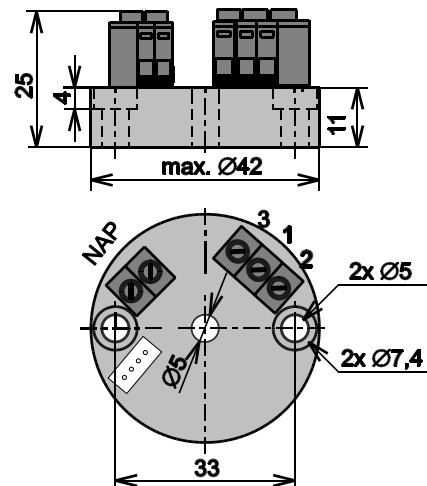
Basic type test in compliance with ČSN EN 60770-1 ed.2
EMC: in compliance with ČSN EN 61326-1
Safety: in compliance with ČSN EN 61010-1

Connecting:

1, 2: sensor Pt100 (2-wire)
3: compensation Pt100 (3-wire)
NAP: current loop output polarity



Dimensions:



Ordering:

When ordering, specify:
- type PP200
- quantity (number of pieces)
- adjustment (e.g. 2 wire, Pt100 -10 to 120°C, damping 1s)

Montage:

The terminals accept wires up to 2.5 mm². We recommend using a cable with a core cross section of 0.5 mm², in noisy environments, shielded cable.