

PT10, PTP10, PT11, PTP11

Čapkova 22
678 01 Blansko
tel.: +420 516 416942, 419995
fax: +420 516 416963

RESISTANCE THERMOMETERS FOR AMBIENT

PT10 (PTP10)
ambient - outdoor space



PT11 (PTP11)
ambient - outdoor space



- very resistant to outdoor environment (IP65)
- easy installation and connection
- the ability to output 4 ... 20mA, RS485 ASCII or MODBUS
- quality design

Thermometer is used to measure air temperature.

Pt100 / A or B, in two or four-wire, dual-sensor Pt1000, Ni 1000, KTY, PTC, thermocouples ...

Design: **PT10 (PTP10)** Bopla plastic box with a stainless steel stem
PT11 (PTP11) plastic box with brass nickel-plated stem

- PT10 / PT11** - outdoor use, IP65, -50 ... +80 ° C
PTP10 / PTP11 - outdoor use, IP65, -50 ... +80 ° C with a converter
- PP200 with output 4-20 mA
- PPL100 with output ASCII or MODBUS
- power output signal after 8-28V DC, ripple 0.5 V
- any measuring range <-50 ... +80> ° C, min. between 50 ° C
- accuracy ± 0.5% of range (max.± 0.25 ° C)
- other parameters are listed in the description of the converter PP200 (PPL100), which is used in this

PT11 / PTP11

New design space thermometers for outdoor use, they now offer a new design for significantly lower prices while maintaining all the important features.

Certifications:

Basic certification: according to EN 60770-1 ed.2

EMC: according to EN 61326-1

Safety: according to EN 61010-1

Terminal connection:

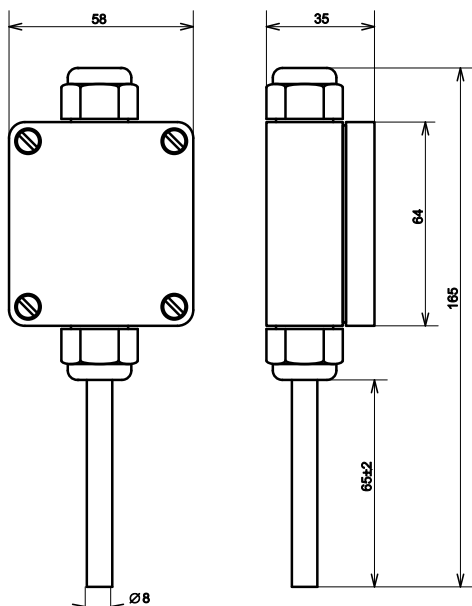
Performing with the transmitter (PTP10, PTP11): 2 terminals.... output current loop (polarity insensitive)

No converter (PT10, PT11):
- with one sensor: 2 terminals.... A sensor (without resolution)
- With two sensors: 4 terminals 1, 2 ... A sensor, 3, 4 ... sensor B

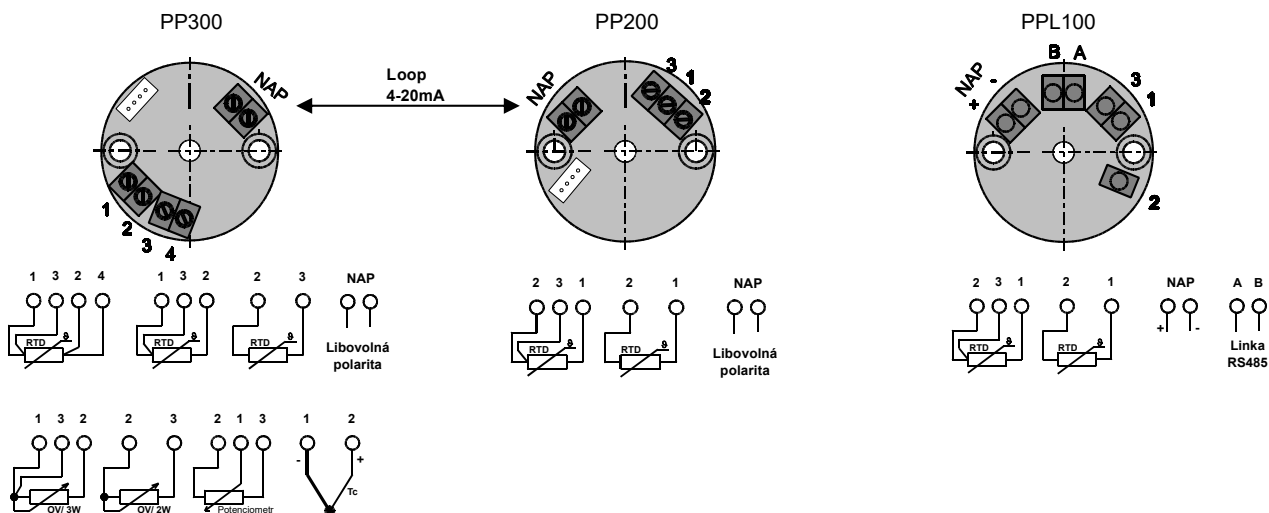
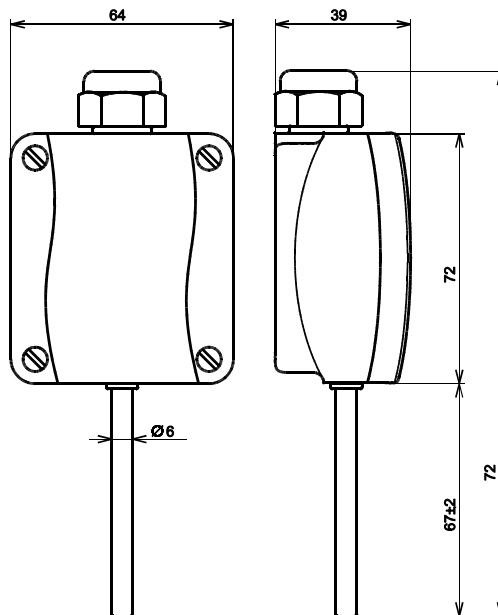
The terminals accept wire with cross sections up to 2.5 mm².

Dimension:

PT10 (PTP10):
ambient - outdoor space



PT11 (PTP11):
ambient - outdoor space



In order shall include:

- version without transmitter – PT
- type of thermometer
- precision of sensor Pt100 A, B or other requirements (fore-wire, dual sensor ...)
- number of pieces

- version with transmitter PTP
- type of thermometer
- measuring range [°C] (-50...+80°C / 4-20mA)
- number of pieces

Examples of orders:

- PT10 Pt100/A 2pc
- PT11 Ni1000/B 1pc
- PTP10 0...+120°C / 4-20mA 1pc
- PTP11 -50...+50°C / 4-20mA 2pc
- PTP11 0...80°C RS485 ASCII 5pc

The thermometers we can supply with the calibration certificate.